



P6B5 - Panther 670
Series Free-standing Hot
Cupboard - Bain Marie
Top - 5GN - W 1855 mm -
5.2 kW

A great solution for holding and transporting food at the perfect temperature, the Panther 670 Series Hot Cupboard / Bain Marie is designed to fit through narrow doorways, so is ideal for pubs and smaller restaurants as well as nursing and care homes where plated meals are to be transported from the kitchen to the residents.

- ✔ Ideal to fit through narrow corridors and doorways
- ✔ Bain marie top, ideal for small restaurants, cafes and pubs, as well as nursing and care homes, where the easy transportation of plated meals to diners and residents is a necessity
- ✔ Fan assisted hot cupboard provides even heat distribution, fast heat up and recovery times, and lower energy usage. Four shelf positions allow adjustment to meet individual needs.
- ✔ Fully 1/1 GN compatible hot cupboard for operational efficiency. Units available to take 5 x 1/1 GN containers up to 150mm deep.
- ✔ Thermostatically controlled bain marie top can be operated with wet or dry heat. Accurate digital electronic control of the hot cupboard temperature, adjustable between 20 and 99 °C, ensures compliance with food hygiene regulations
- ✔ Double skinned construction provides efficient heat retention and a cool to touch exterior - safe and energy efficient. Removable doors and shelves allow access to the fully stainless steel interior for easy cleaning
- ✔ Supplied with two heavy duty multi-section chrome plated rod shelves capable of taking the heaviest loads
- ✔ Drain tap located inside the hot cupboard allows fast and easy draining

Specifications

Summary **Power and Performance**

Range Name	Panther	Gastronorm Capacity	5 x GN1/1
Power Type	Electric	Total Power kW	5.2
Unit Type	Free-standing	Temperature Range °C	20 - 99
Available in UK Only	No	IP Rating	IP24
UK Warranty	2 Years Parts and Labour Warranty	Plate Capacity	462
Export Warranty	Contact your local dealer	Temperature Control	Top: Mechanical/Bottom: Electronic
GTIN Code	5056105103424		

Key Specifications **Weights and Dimensions**

Drain Location	Right side interior mounted	Unit Height (External) mm	912
Number of Shelves included	2	Unit Width (External) mm	1855
Number of Shelf Positions	4	Unit Depth (External) mm	672
Pot Type	Gastronorm	Height (Internal) mm	432
Type of Heat	Wet/Dry	Width (Internal) mm	1670
Heated Base	Yes	Depth (Internal) mm	512
Heated Gantry	No	Shelf Dimensions Width mm	1610
Static or Mobile	Mobile	Shelf Dimensions Depth mm	512
		Net Weight Kg	135.5

Supply Connections

Requires Installation	Yes
Requires Electrical Supply	Yes
UK 3 Pin Plug	No
Requires Hardwiring	Yes
Electrical Supply Rating Watts	5,200
Single Phase Amps	22.6
Single Phase Voltage	230

Shipping

Packed Weight Kg	160.5
Packed Height cm	110
Packed Width cm	188
Packed Depth cm	90

Available Options

Overshelf or Gantry

PG5A	PG5A - Ambient Gantry
PG5H	PG5H - Heated Gantry
PS5A1	PS5A1 - 1 Ambient Overshelf
PS5A2	PS5A2 - 2 Ambient Overshelves
PS5A3	PS5A3 - 3 Ambient Overshelves
PS5H1	PS5H1 - 1 Heated Overshelf
PS5H2	PS5H2 - 2 Heated Overshelves
PS5H3	PS5H3 - 3 Heated Overshelves

Door Locks

PDL5	PDL5 - Lockable Door
------	----------------------

Corner Guards

PCG	PCG - Corner Guards [Set of Four]
-----	-----------------------------------

Trayslides

PTS5	PTS5 - Tray Slide
------	-------------------

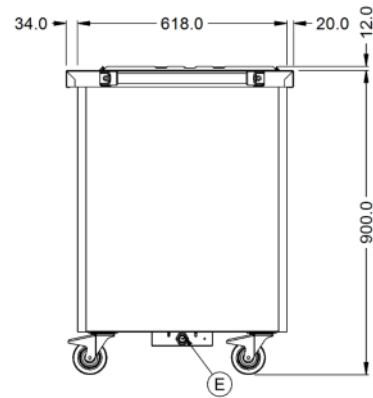
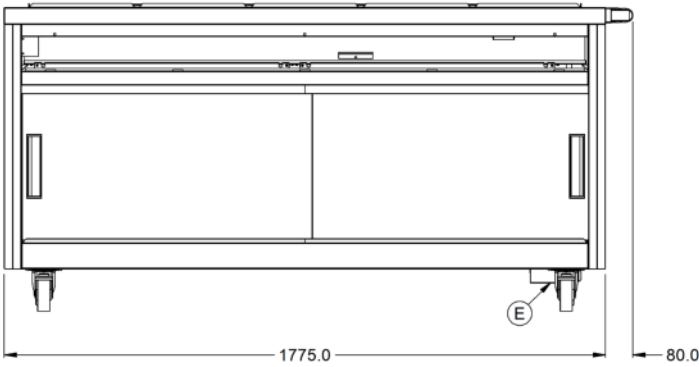
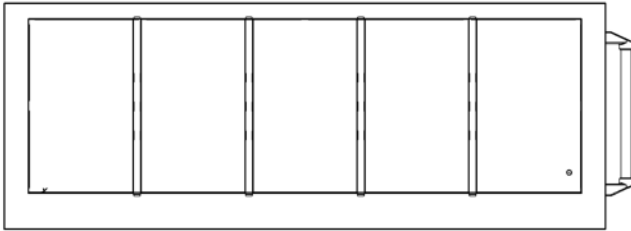
Legs/Castors

PLK	PLK - Legs [non chargeable]
-----	-----------------------------

Available Accessories

CP16	CP16 - CARVERY PAD [1/1 GASTRONORM SIZE]
PGK1	PGK1 - GASTRONORM PACK
PGK13	PGK13 - GASTRONORM PACK
PGK14	PGK14 - GASTRONORM PACK
PGK15	PGK15 - GASTRONORM PACK
PGK16	PGK16 - GASTRONORM PACK
PGK17	PGK17 - GASTRONORM PACK
PGK18	PGK18 - GASTRONORM PACK
PGK2	PGK2 - GASTRONORM PACK
PGK3	PGK3 - GASTRONORM PACK
PGK4	PGK4 - GASTRONORM PACK
PGK7	PGK7 - GASTRONORM PACK
PHTC	PHTC - CERAMIC INSERT [1/1 GASTRONORM SIZE]
PHTG	PHTG - GLASS INSERT [1/1 GASTRONORM SIZE]
PLK/S	PLK/S - LEG KIT [FOR CONVERSION IN THE FIELD]
PPB6	PPB6 - ADDITIONAL PUSHBAR

Technical Picture



Lincat Limited

Whisby Road,
Lincoln, LN6 3QZ,
United Kingdom

Company No: 2175448

A member company of



Customer Care

Tel: +44 1522 875500
Email: care@lincat.co.uk

Export Customers

Tel: +44 1522 503250
Email: export@lincat.co.uk

Opening Hours

Monday – Friday:
8.30am – 5pm